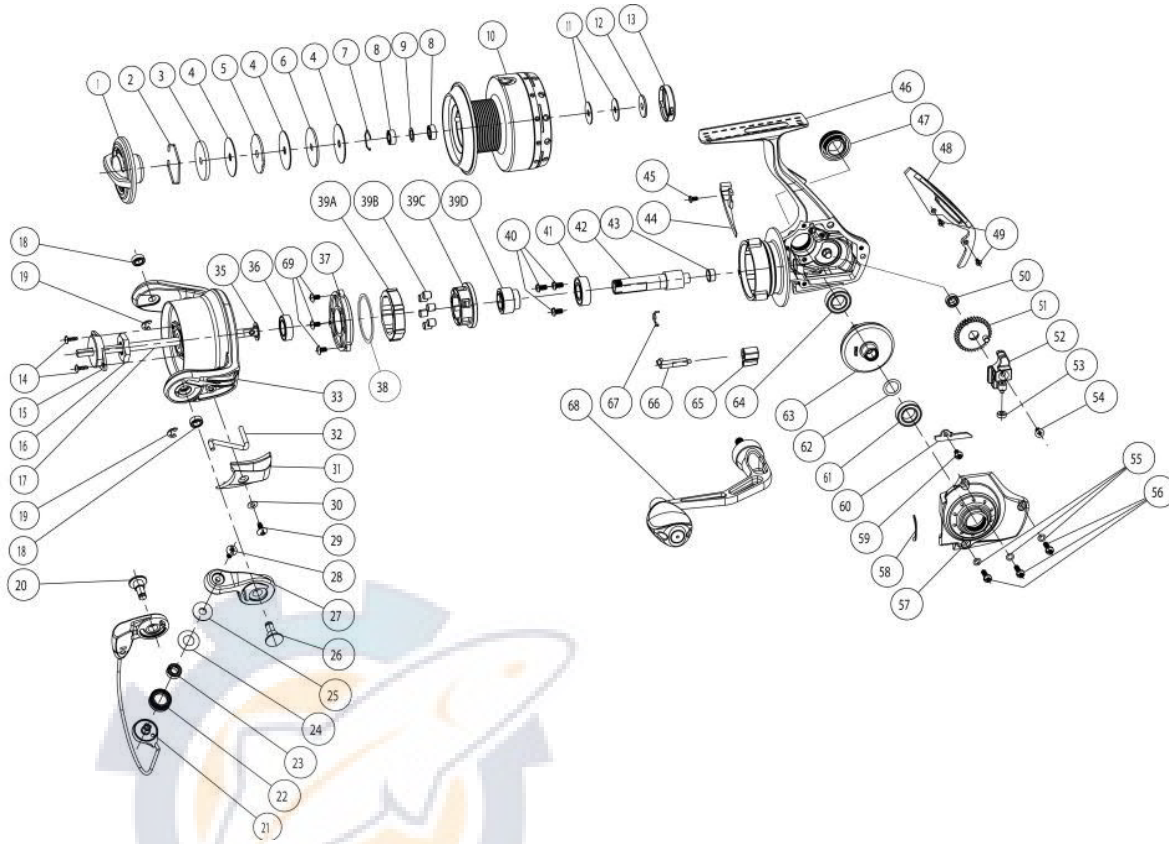


QUANTUM

Tour Edition PT

TE40PTIB



Quantum Tour Edition TE40PTIB Spinning Reel Part List

Key #	Description	Part No.	Key #	Description	Part No.
1	DRAG KNOB ASSEMBLY	RG332-01	38	WASHER	PG069-01
2	DRAG WASHER RETAINER	RQ038-01	39	CLUTCH ASSEMBLY	RG463-01
3	DRAG WASHER "D"	SQ080-01	39-A	CLUTCH LOCK RING	N/A
4	DRAG WASHER "B" (Only 1 for 10 SIZE)	RQ033-01	39-B	CLUTCH ROLLER	N/A
5	DRAG WASHER "A"	PG081-02	39-C	CLUTCH ROLLER RETAINER	N/A
6	DRAG WASHER "C"	RQ080-03	39-D	CLUTCH SLEEVE	N/A
7	SPOOL BALL BEARING RETAINER	HV080-01	40	PINION BALL BEARING SCREW	TK057-01
8	SPOOL BALL BEARING	GH202-01	41	PINION BALL BEARING	UK028-01
9	WASHER	RG080-01	42	PINION	RG011-01
10	SPOOL ASSEMBLY	RG321-01	43	PINION BUSHING	SQ141-03
11	SPOOL ADJUST WASHER	PG030-01	44	TRIP BUMPER	XP119-01
12	SPOOL WASHER	PG080-01	45	TRIP BUMPER SCREW	AT136-01
13	SPOOL CLICK ASSEMBLY	PG4114-01	46	BODY ASSEMBLY	RG301-01
14	ROTOR NUT LOCK SCREW	RQ094-01	47	HANDLE SCREW ASSEMBLY	BG354-04
15	MAIN SHAFT BUSHING	SQ214-01	48	BODY REAR CAP	RG250-01
16	ROTOR NUT	TH006-01	49	BODY REAR CAP SCREW	PG107-01
17	MAIN SHAFT	RG015-01	50	O/S GEAR BALL BEARING	CT157-01
18	ROTOR BALL BEARING	EH158-01	51	O/S GEAR ASSEMBLY	TQ353-01
19	E- CLIP	GH034-01	52	O/S SLIDER ASSEMBLY	RG325-01
20	PIN	QG042-01	53	O/S SLIDER BUSHING	PG227-01
21	BAIL ASSEMBLY	RG347-01	54	MAIN SHAFT SCREW	RQ100-01
22	LINE ROLLER	DH004-02	55	SIDE COVER SCREW WASHER	RQ142-01
23	LINE ROLLER BALL BEARING	GH202-01	56	SIDE COVER SCREW	RQ057-02
24	LINE ROLLER WASHER	DH102-01	57	SIDE COVER ASSEMBLY	RG323-01
25	LINE ROLLER COLLAR	CH102-01	58	PAD	PG140-01
26	PIN	PG042-01	59	O/S SLIDER RETAINER SCREW	TK057-01
27	ARM LEVER ASSEMBLY	RG307-01	60	O/S SLIDER RETAINER	RG078-01
28	LINE ROLLER SCREW	AQ108-02	61	SIDE COVER BALL BEARING	BL157-01
29	ARM LEVER COVER SCREW	GU077-03	62	DRIVE GEAR ADJUST WASHER	RG105-02
30	ARM LEVER COVER WASHER	SQ142-01	63	DRIVE GEAR	AT312-51
31	ARM LEVER COVER	RG087-01	64	BODY BALL BEARING	BL157-01
32	KICK LEVER	RG019-01	65	STOPPER LEVER	RG059-01
33	ROTOR ASSEMBLY	N/A	66	STOPPER CAM	TK090-01
34	RETAINER RING	N/A	67	STOPPER CAM SPRING	TK089-01
35	ROTOR ADJUST WASHER	RG105-04	68	HANDLE ASSEMBLY	GP318-01
36	CLUTCH RETAINER BALL BEARING	BL157-01	69	CLUTCH RETAINER SCREW	TV053-01
37	CLUTCH RETAINER	RG060-01			